



Alarm Bar

Designed to protect overhead assets from accidental damage from moving vehicles.

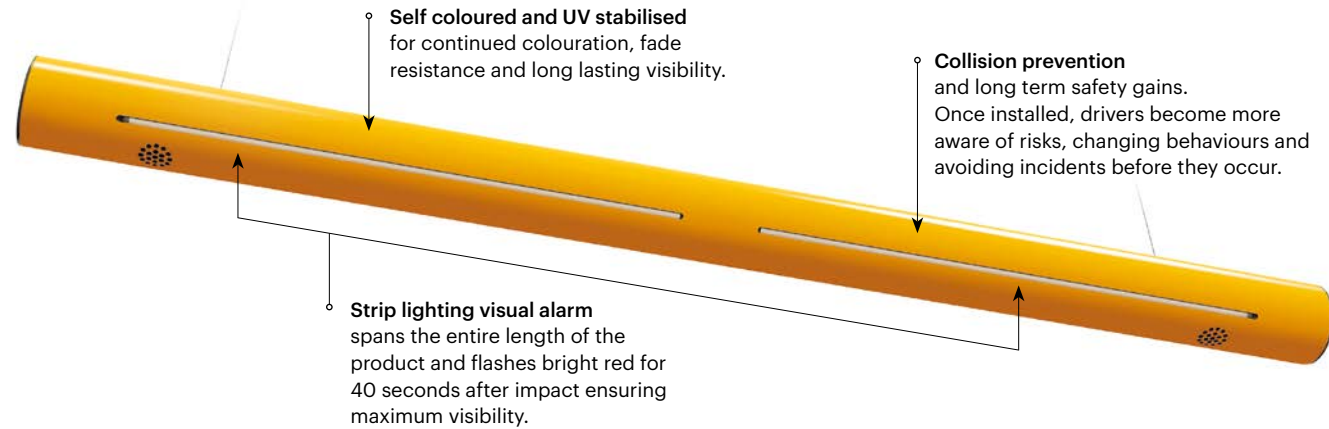
This ceiling-mounted barrier provides audible and visible alarms to prevent damage before it happens, averting vehicle impacts and changing driver behaviour over time.

Quick and easy to install, it can be used to safeguard doorframes, loading docks, infrastructure and overhead walkways, as well as key safety assets such as sprinkler systems and ventilation pipes.

Not suitable for outdoor use.

Memaplex shock-absorbing casing created from an exclusive composition of the most sophisticated materials, expertly blended for high-strength durability, flexibility and crack-resistance.

Quick and easy installation at a height to suit you. Heavy duty wires, adjustable gripple hooks, push-fit caps and battery power maximise versatility and minimise install time.



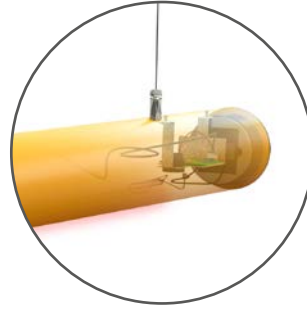
Features and benefits



Twin buzzers each emit a 102 decibel alarm for 20 seconds, the equivalent of a car horn 1 metre away. Simultaneously, indicator strips flash bright red for 40 seconds, creating a complete and powerful audio-visual alert.



Protect low hanging infrastructure in environments where high-level vehicles such as forklift trucks are in operation.

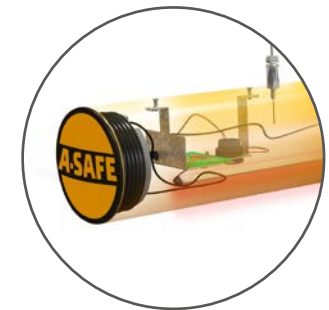


Patented smart sensor technology differentiates natural vibrations and wind currents, preventing accidental tripping and false alarms.

Long life battery provides constant power for over 2 years.



Twin buzzer audio alarm emits a sound level of 102 decibels* for 20 seconds after impact, creating a strong audio alert easily heard in industrial environments.



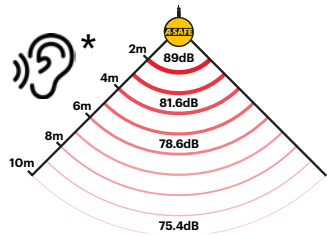
Plug and play battery adaptor makes it quick and easy to replace batteries without the need for screws.



Technical Information

Audio & Visual Alerts

2x
Buzzers
per Alarm Bar

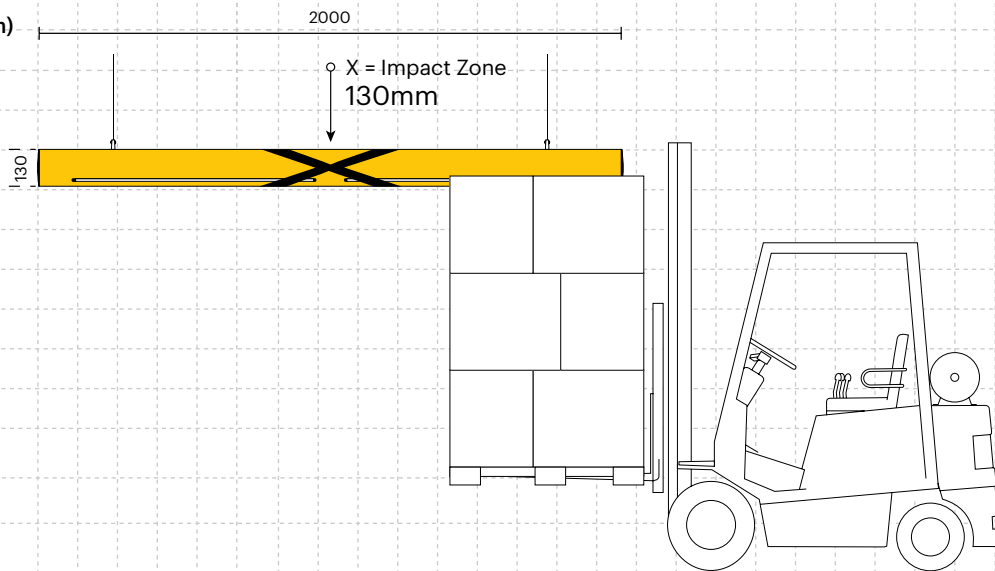


Buzzer
20
seconds
after impact



Flashes
40
seconds
after impact

Dimensions (mm)



Bar Colour



Standard Yellow
RAL 1007*
PANTONE 7548*

Colour Combinations

*Please note that the RAL and PANTONE colours listed are the closest match to standard A-SAFE colours, but may not be exact matches of the actual product colour and should be used for guidance only.

*Audible data gathered with an average ambient noise level of 78dB.

Power

12V (battery operation offers increased flexibility on installation)

2 years battery life in normal operation

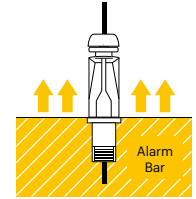
LEDs

2x Red Flashing Indicator strips (40 Seconds after impact)

Brightness: 68lm/M

Force to Bolt

5x safety factor pull out force on gripples



Material Properties

MEMAPLEX™

Temperature Range	+5°C to 50°C
Ignition Temperature	370°C to 390°C
Flash Point	350°C to 370°C
Toxicity	Not Hazardous
Chemical Resistance	Excellent - ISO/TR 10358
Weathering Stability (Grey Scale)	5/5*
Light Stability (Blue Wool Scale)	7/8**
Static Rating (Surface Resistivity)	1015 - 1016 Ω
Hygiene Seals	No

* Weathering scale 1 is very poor and 5 is excellent

** Light stability scale 1 is very poor and 8 is excellent

