



# Retractable Barrier Tape Racking Kit

The rack-mounted retractable barrier kit reduces the risk of accidents and pedestrian injuries by temporarily preventing vehicle access to racking aisles during manual activities such as maintenance and rack inspection. Easy to deploy and highly visible, the yellow and black chevron puller tapes serve as both a visual warning and a physical barrier.

The kit is fully portable and comes with a robust carry case, while multiple mounting options ensure self-retracting reel units and receivers can be quickly deployed on a wide range of racking systems.

Compliant to the  
global benchmark  
in barrier safety

**bsi. PAS 13**  
Code of Practice for  
Workplace Safety  
Barriers

 **A-SAFE**  
PIONEERING WORKPLACE SAFETY



2 x lockable self-retracting  
9m tape reel



4 x receiver units  
Attachment unit can be  
fitted using magnetic or  
cord-mounted fitments.



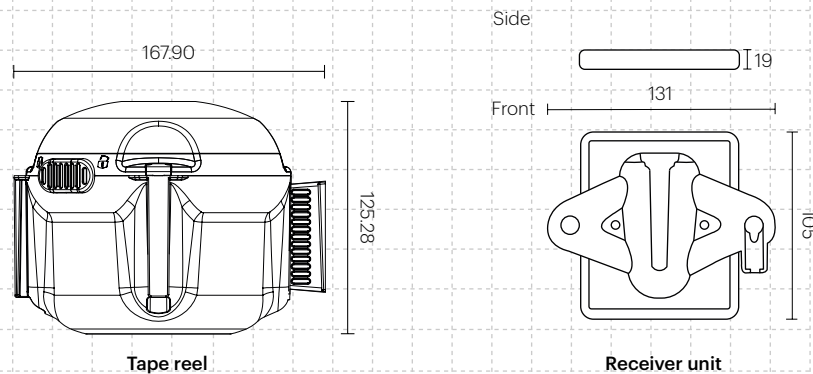
Reverse of unit  
showing the magnetic  
attachments



Products supplied in  
a robust carry case

## Technical Information

Dimensions (mm)



Tape reel attached via magnetic fitting

