



# Slider Base Plates

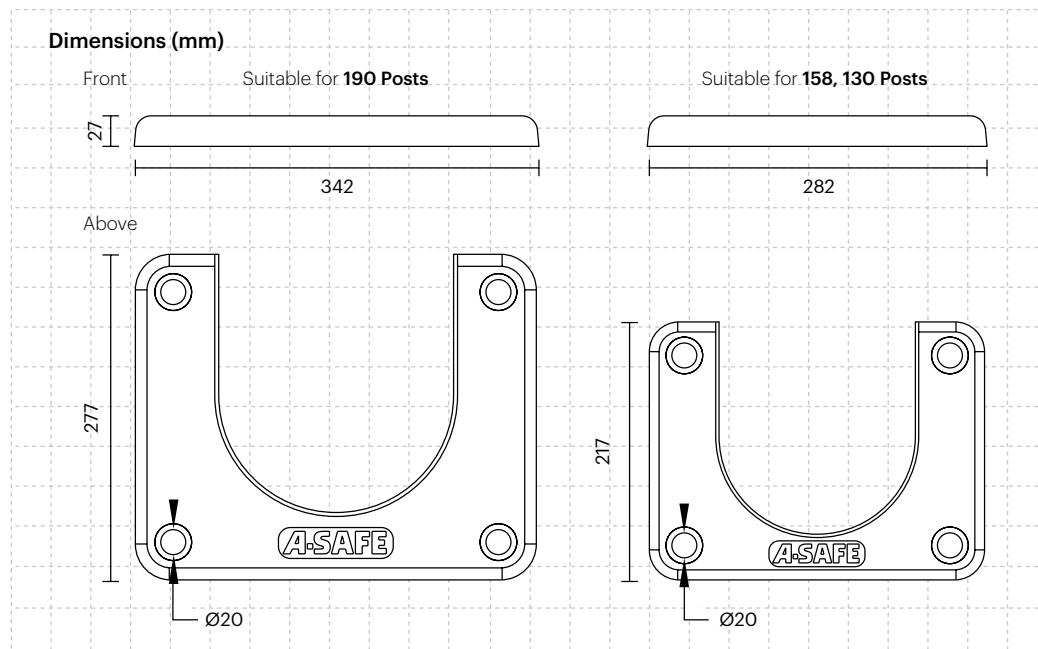
Designed for zones where maintaining a length of barrier is essential for segregation and protection purposes, but access is still required on an infrequent basis.

Slider Plates maintain the integrity of an overall run of barrier but allow sections to be easily removed as and when access is required usually for vehicle or maintenance purposes.

By fixing the Slider Plates to the floor rather than the barriers, the barriers themselves can be conveniently slid out of position, allowing for fast and efficient access to maximise productivity.



## Technical Information



Simple removal of barrier when access is required. Slider Plates enable essential protection of critical equipment and structures whilst still allowing access.

Ductile cast iron gives proven performance strength and durability.

Integrated traffic management system can be optimised for more efficient work flow with Slider Plates, compatible with all Pedestrian and Traffic Barriers.

